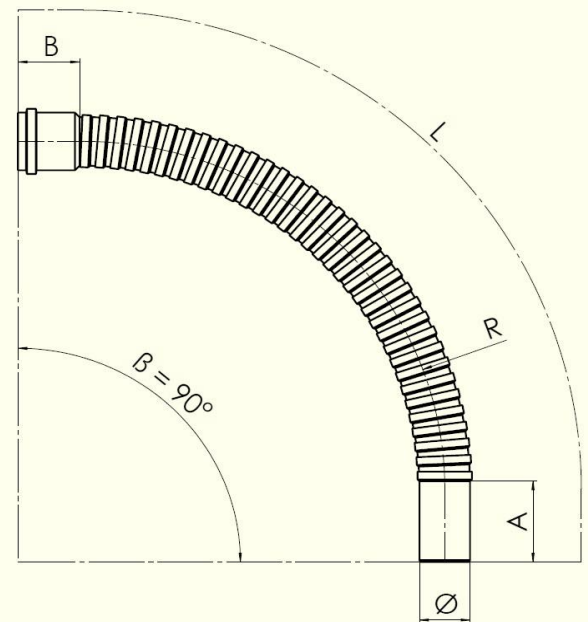


# elkuch<sup>®</sup> Cable protection

## Flexible bent 90° DIN

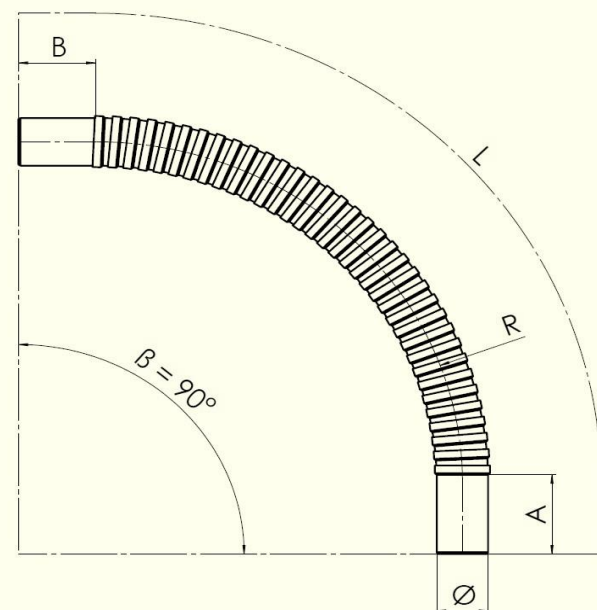
### Flexible bent 90° single sided with coupler and sealing (PE)

Technical data					
dn mm	L mm	R	A mm	B mm	SN kN/m <sup>2</sup>
50	720-860	500	85	85	40
63	905-1040	630	105	115	16
75	1085-1245	750	125	115	16
90	1300-1450	900	125	135	12
110	1470-1710	1100	165	155	8
125	1915-2105	1250	170	160	6
140	2050-2340	1400	210	165	10
160	2260-2500	1600	230	145	4



### Flexible bent 90° with smooth endings (PE)

Technical data					
dn mm	L mm	R	A mm	B mm	SN kN/m <sup>2</sup>
50	730-870	500	85	95	40
63	905-1040	630	105	115	16
75	1075-1255	750	125	125	16
90	1280-1430	900	125	115	12
110	1470-1710	1100	165	155	8
125	1935-2125	1250	170	180	6
140	2090-2380	1400	210	205	10
160	2330-2570	1600	230	215	4



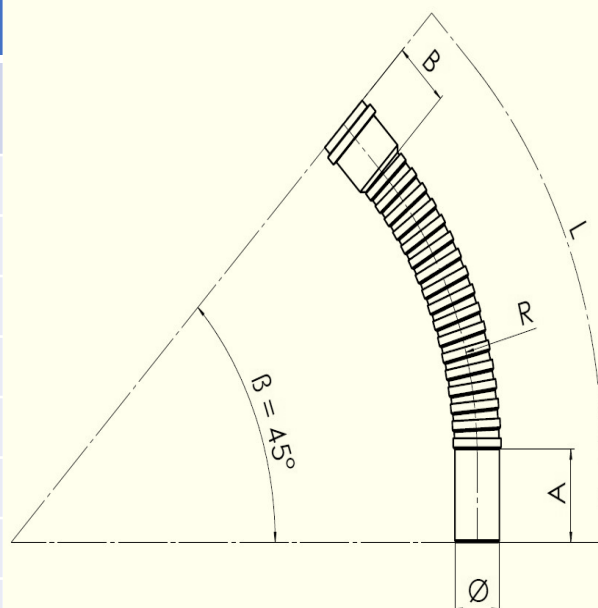
The lengths may vary slightly due to the telescopic properties of the flexible bent

# elkuch<sup>®</sup> Cable protection

## Flexible bent 45° DIN

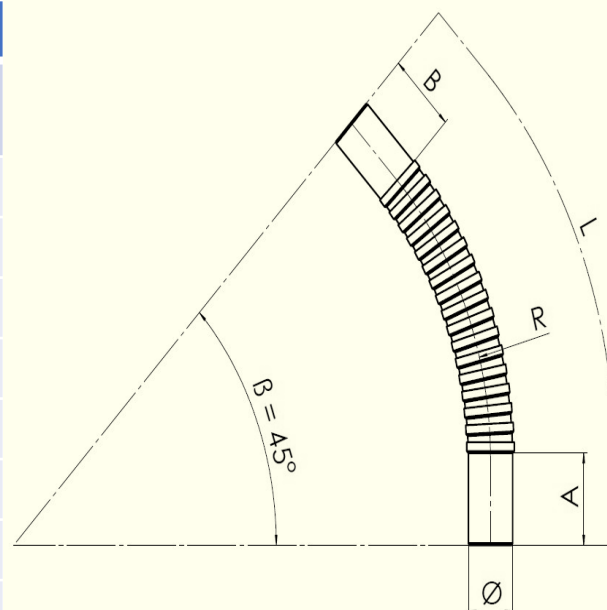
### Flexible bent 45° single sided with coupler and sealing (PE)

Technical data					
dn mm	L mm	R	A mm	B mm	SN kN/m <sup>2</sup>
50	445-520	500	85	85	40
63	565-635	630	105	115	16
75	665-750	750	125	115	16
90	800-870	900	125	135	12
110	910-1030	1100	165	155	8
125	1150-1190	1250	170	160	6
140	1220-1360	1400	210	165	10
160	1220-1430	1600	230	145	4



### Flexible bent 45° with smooth endings (PE)

Technical data					
dn mm	L mm	R	A mm	B mm	SN kN/m <sup>2</sup>
50	455-530	500	85	95	40
63	565-635	630	105	115	16
75	675-760	750	125	125	16
90	780-850	900	125	115	12
110	910-1030	1100	165	155	8
125	1170-1210	1250	170	180	6
140	1260-1400	1400	210	205	10
160	1290-1500	1600	230	215	4



The lengths may vary slightly due to the telescopic properties of the flexible bent